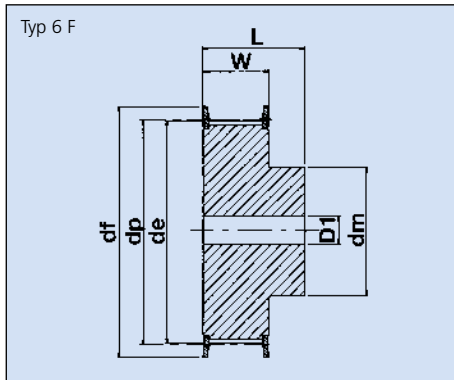
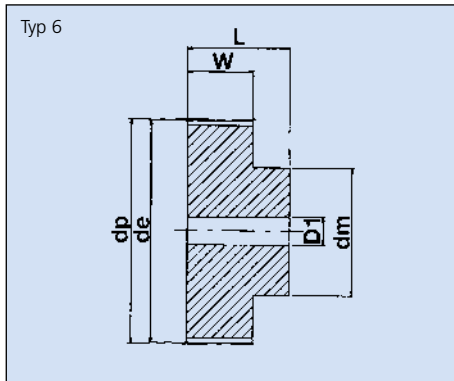


Zahnriemenscheiben (metrische T-Teilung)



T 5 (Teilung = 5 mm) – für Zahnriemenbreite = 25 mm

Artikel-Nr. Ketten Fuchs	Zähne- zahl	Typ	Werk- stoff	Abmessungen in mm							
				de	dp	dm	Di	df	W	L	D1
36T5/10-2	10	6F	Al	15,05	15,92	8,0	–	19,5	30,0	36,0	–
36T5/12-2	12	6F	Al	18,25	19,10	11,0	–	23,0	30,0	36,0	–
36T5/14-2	14	6F	Al	21,45	22,29	13,0	–	25,0	30,0	36,0	–
36T5/15-2	15	6F	Al	23,05	23,88	16,0	–	28,0	30,0	36,0	6,0
36T5/16-2	16	6F	Al	24,60	25,47	18,0	–	32,0	30,0	36,0	6,0
36T5/18-2	18	6F	Al	27,80	28,65	20,0	–	32,0	30,0	36,0	6,0
36T5/19-2	19	6F	Al	29,40	30,25	22,0	–	36,0	30,0	36,0	6,0
36T5/20-2	20	6F	Al	31,00	31,83	23,0	–	36,0	30,0	36,0	6,0
36T5/22-2	22	6F	Al	34,15	35,02	24,0	–	38,0	30,0	36,0	6,0
36T5/24-2	24	6F	Al	37,40	38,21	26,0	–	42,0	30,0	36,0	8,0
36T5/25-2	25	6F	Al	38,95	39,80	26,0	–	44,0	30,0	36,0	8,0
36T5/26-2	26	6F	Al	40,60	41,39	26,0	–	44,0	30,0	36,0	8,0
36T5/27-2	27	6F	Al	42,20	42,98	30,0	–	48,0	30,0	36,0	8,0
36T5/28-2	28	6F	Al	43,75	44,58	32,0	–	48,0	30,0	36,0	8,0
36T5/30-2	30	6F	Al	46,95	47,76	34,0	–	51,0	30,0	36,0	8,0
36T5/32-2	32	6F	Al	50,10	50,94	38,0	–	54,0	30,0	36,0	8,0
36T5/36-2	36	6F	Al	56,45	57,31	38,0	–	64,0	30,0	36,0	8,0
36T5/40-2	40	6F	Al	62,85	63,66	40,0	–	66,5	30,0	36,0	8,0
36T5/42-2	42	6F	Al	66,00	66,86	40,0	–	70,0	30,0	36,0	8,0
36T5/44-0	44	6	Al	69,20	70,05	45,0	–	–	30,0	36,0	8,0
36T5/48-0	48	6	Al	75,55	76,42	50,0	–	–	30,0	36,0	8,0
36T5/60-0	60	6	Al	94,65	95,52	65,0	–	–	30,0	36,0	8,0

T 10 (Teilung = 10 mm) – für Zahnriemenbreite = 16 mm

Artikel-Nr. Ketten Fuchs	Zähne- zahl	Typ	Werk- stoff	Abmessungen in mm							
				de	dp	dm	Di	df	W	L	D1
31T10/12-2	12	6F	Al	36,35	38,20	28,0	–	42,0	21,0	31,0	6,0
31T10/14-2	14	6F	Al	42,70	44,56	32,0	–	48,0	21,0	31,0	8,0
31T10/15-2	15	6F	Al	45,90	47,75	32,0	–	51,0	21,0	31,0	8,0
31T10/16-2	16	6F	Al	49,10	50,93	35,0	–	54,0	21,0	31,0	8,0
31T10/18-2	18	6F	Al	55,45	57,29	40,0	–	60,0	21,0	31,0	8,0
31T10/19-2	19	6F	Al	58,65	60,48	44,0	–	66,0	21,0	31,0	8,0
31T10/20-2	20	6F	Al	61,80	63,66	46,0	–	66,0	21,0	31,0	8,0
31T10/22-2	22	6F	Al	68,20	70,03	52,0	–	75,0	21,0	31,0	8,0
31T10/24-2	24	6F	Al	74,55	76,39	58,0	–	83,0	21,0	31,0	8,0
31T10/25-2	25	6F	Al	77,75	79,58	60,0	–	83,0	21,0	31,0	8,0
31T10/26-2	26	6F	Al	80,90	82,76	60,0	–	87,0	21,0	31,0	8,0
31T10/27-2	27	6F	Al	84,10	85,95	60,0	–	91,0	21,0	31,0	8,0
31T10/28-2	28	6F	Al	87,25	89,12	60,0	–	93,0	21,0	31,0	8,0
31T10/30-2	30	6F	Al	93,65	95,49	60,0	–	102,0	21,0	31,0	8,0
31T10/32-2	32	6F	Al	100,00	101,86	65,0	–	106,0	21,0	31,0	10,0
31T10/36-2	36	6F	Al	112,75	114,59	70,0	–	119,0	21,0	31,0	10,0
31T10/40-2	40	6F	Al	125,45	127,32	80,0	–	131,0	21,0	31,0	10,0
31T10/44-0	44	6	Al	138,20	140,05	88,0	–	–	21,0	31,0	10,0
31T10/48-0	48	6	Al	150,95	152,78	95,0	–	–	21,0	31,0	16,0
31T10/60-0	60	6	Al	189,10	190,98	110,0	–	–	21,0	31,0	16,0

T 10 (Teilung = 10 mm) – für Zahnriemenbreite = 25 mm

Artikel-Nr. Ketten Fuchs	Zähne- zahl	Typ	Werk- stoff	Abmessungen in mm							
				de	dp	dm	Di	df	W	L	D1
40T10/12-2	12	6F	Al	36,35	38,20	28,0	–	42,0	30,0	40,0	6,0
40T10/14-2	14	6F	Al	42,70	44,56	32,0	–	48,0	30,0	40,0	8,0
40T10/15-2	15	6F	Al	45,90	47,75	32,0	–	51,0	30,0	40,0	8,0
40T10/16-2	16	6F	Al	49,10	50,93	35,0	–	54,0	30,0	40,0	8,0
40T10/18-2	18	6F	Al	55,45	57,29	40,0	–	60,0	30,0	40,0	8,0
40T10/19-2	19	6F	Al	58,65	60,48	44,0	–	66,0	30,0	40,0	8,0
40T10/20-2	20	6F	Al	61,80	63,66	46,0	–	66,0	30,0	40,0	8,0
40T10/22-2	22	6F	Al	68,20	70,03	52,0	–	75,0	30,0	40,0	8,0
40T10/24-2	24	6F	Al	74,55	76,39	58,0	–	83,0	30,0	40,0	8,0
40T10/25-2	25	6F	Al	77,75	79,58	60,0	–	83,0	30,0	40,0	8,0
40T10/26-2	26	6F	Al	80,90	82,76	60,0	–	87,0	30,0	40,0	8,0
40T10/27-2	27	6F	Al	84,10	85,95	60,0	–	91,0	30,0	40,0	8,0
40T10/28-2	28	6F	Al	87,25	89,12	60,0	–	93,0	30,0	40,0	8,0
40T10/30-2	30	6F	Al	93,65	95,49	60,0	–	102,0	30,0	40,0	8,0
40T10/32-2	32	6F	Al	100,00	101,86	65,0	–	106,0	30,0	40,0	10,0
40T10/36-2	36	6F	Al	112,75	114,59	70,0	–	119,0	30,0	40,0	10,0
40T10/40-2	40	6F	Al	125,45	127,32	80,0	–	131,0	30,0	40,0	10,0
40T10/44-0	44	6	Al	138,20	140,05	88,0	–	–	30,0	40,0	10,0
40T10/48-0	48	6	Al	150,95	152,78	95,0	–	–	30,0	40,0	16,0
40T10/60-0	60	6	Al	189,15	190,98	110,0	–	–	30,0	40,0	16,0

Bestellbeispiel

40	T 10 / 30-2	Scheibenbreite (L)
		Teilung 10mm
		Zähnezahl
		mit Bordscheiben
	-0	ohne Bordscheiben

lieferbar:

- mit Vorbohrung (siehe Maß d)
- mit Fertigbohrung und Nut nach DIN-Nr. 6885 (gemäß Ihren Angaben)